



STANDARD



APPLICATIONS

This LED strip light offers a compact low-profile style. The round frosted lens allows light to emit evenly, eliminating glare and dark ceilings. Aluminum and polycarbonate construction ensures a durable yet lightweight frame. Dimming capabilities and multiple mounting options provide adaptability to any residential or commercial space. This light is CCT selectable 30, 35, 40 and 50K. It is also wattage selectable 20W, 30W, 40W for the 4Ft and 60W, 70W and 80W for the 8Ft. The 4Ft model is available with an emergency backup driver already installed in the fixture.

FEATURES

- * Color temperature : 3K, 35K, 4K, 5K selectable
- * Wattage selectable: 20W, 30W, 40W - 4Ft and 4Ft EM
- * Wattage selectable: 60W, 70W, 80W - 8Ft
- * High efficiency Lumiled SMD2835 chips
- * Long-life LEDs provide 75,000 hours of operation with at least 70% of initial lumen output (L70)
- * Universal 120-277 AC voltage (50-60Hz) is standard
- * 0-10V dimming standard
- * Waterproof rating: Damp (IP4X)
- * Frosted lens
- * Total harmonic distortion < 20%
- * Lighting angle: 130 degrees
- * Color rendering index > 80
- * Suitable for ambient temperatures from -4 F to 113 F



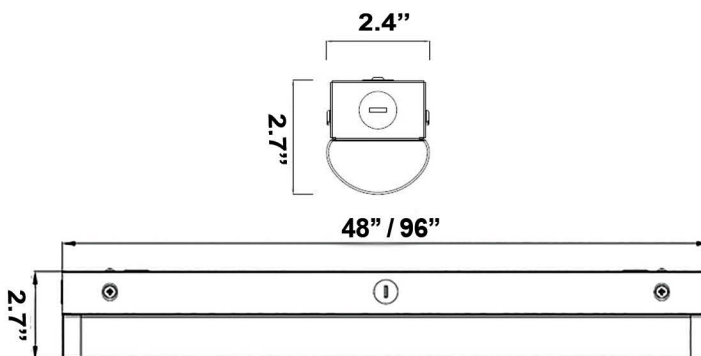
Bilda BLD-CM08D



WARRANTY & DETAILS

- * UL certification
- * DLC premium listed
- * 5-year warranty

DIMENSIONS



OPTIONAL

- * Pre-installed Bilda CM08D-8W emergency backup driver on 4Ft strip light

ORDERING INFORMATION

PART #	Color Temp	Lumens	Lumen/watt	Wattage	Length	Option
CLL-LA02-40W4FT-CCT	CCT 30K, 35K, 40K, 50K	4800-5500	122-138	20,30,40	4Ft	
CLL-LA02-40W4FT-CCT-EM	CCT 30K, 35K, 40K, 50K	4800-5500	122-138	20,30,40	4Ft	EM installed
CLL-LA02-80W8FT-CCT	CCT 30K, 35K, 40K, 50K	9680-10400	121-137	60,70,80	8Ft	